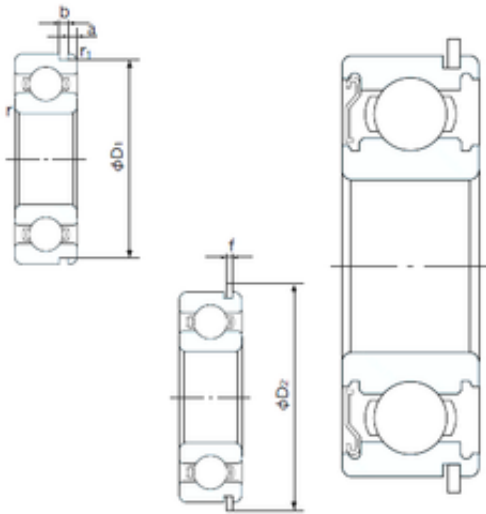




PRECISION BEARING CORP.



55 mm x 120 mm x 29 mm A4TG71 Hydraulic Pump Cylindrical Roller Bearing Width-15mm

Bearing No. 6311ZENR

6311ZENR Bearing 2D drawings and 3D CAD models

Size	55x120x29 mm
Bore Diameter	55 mm
Outer Diameter	120 mm
Width	29 mm
d	55 mm
D	120 mm
B	29 mm
C	29 mm
a	4.06 mm
b	3.1 mm
f	2.82 mm
r min.	2 mm
r1 min.	0.5 mm
D1	115.21 mm
D2	129.7 mm
Weight	1.37 Kg
Basic dynamic load rating (C)	71,5 kN
Basic static load rating (C0)	44,5 kN
(Grease) Lubrication Speed	5600 r/min
Category	Single Row Ball Bearings
Inventory	0.0
Manufacturer Name	NACHI
Minimum Buy Quantity	N/A
Weight / Kilogram	0
Product Group	B00308



PRECISION BEARING CORP.

Enclosure	1 Metal Shield
Precision Class	ABEC 1 ISO P0
Maximum Capacity / Filling Slot	No
Rolling Element	Ball Bearing
Snap Ring	Yes
Internal Special Features	No
Cage Material	Steel
Internal Clearance	C0-Medium
Inch - Metric	Metric
Long Description	55MM Bore; 120MM Outside Diameter; 29MM Outer Race Width; 1 Metal Shield; Ball Bearing; ABEC 1 ISO P0; No Filling Slot; Yes Snap Ring; No Internal Special Features; C0-Medium Internal Clearance; Ste
Other Features	Deep Groove With Snap Ring
Category	Single Row Ball Bearing
UNSPSC	31171504
Harmonized Tariff Code	8482.10.50.68
Noun	Bearing
Keyword String	Ball
Manufacturer URL	http://www.nachiamerica.com
Outer Race Width	1.142 Inch 29 Millimeter
Bore	2.165 Inch 55 Millimeter
Inner Race Width	0 Inch 0 Millimeter
Outside Diameter	4.724 Inch 120 Millimeter
Bore Type	Cylindrical Bore
Configuration	Single Row
Bore Size	55 mm
Width	29 mm



PRECISION BEARING CORP.

Fillet Radius/Chamfer	2 mm
r1	0.5 mm
Snap Ring Width	2.8 mm
Snap Ring Outside Diameter	129.7 mm
D1 (max)	115.2 mm
a (max)	4.1 mm
b (min)	3.1 mm
Dynamic Load Rating	71,500 N
Static Load Rating	44,500 N
Limiting Speed - Grease	5,800 rpm
Limiting Speed - Oil	6,800 rpm
Factor fo	13.1
Radial Clearance	0.008 to 0.028 mm
da (min)	65 mm
Da (max)	110 mm
Dx (min)	131.5 mm
ra (max)	2 mm
Cy (max)	6.5 mm